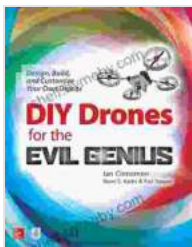


# Design, Build, and Customize Your Own Drones: Unleash Your Inner Engineer

Welcome to the thrilling world of drone engineering! This comprehensive guide will empower you with everything you need to design, build, and customize your own drones. Get ready to embark on an epic adventure where you'll master aerodynamics, electronics, and software engineering. By the end of this journey, you'll be able to create your ultimate flying machines that soar through the skies.



## DIY Drones for the Evil Genius: Design, Build, and Customize Your Own Drones by Ian Cinnamon

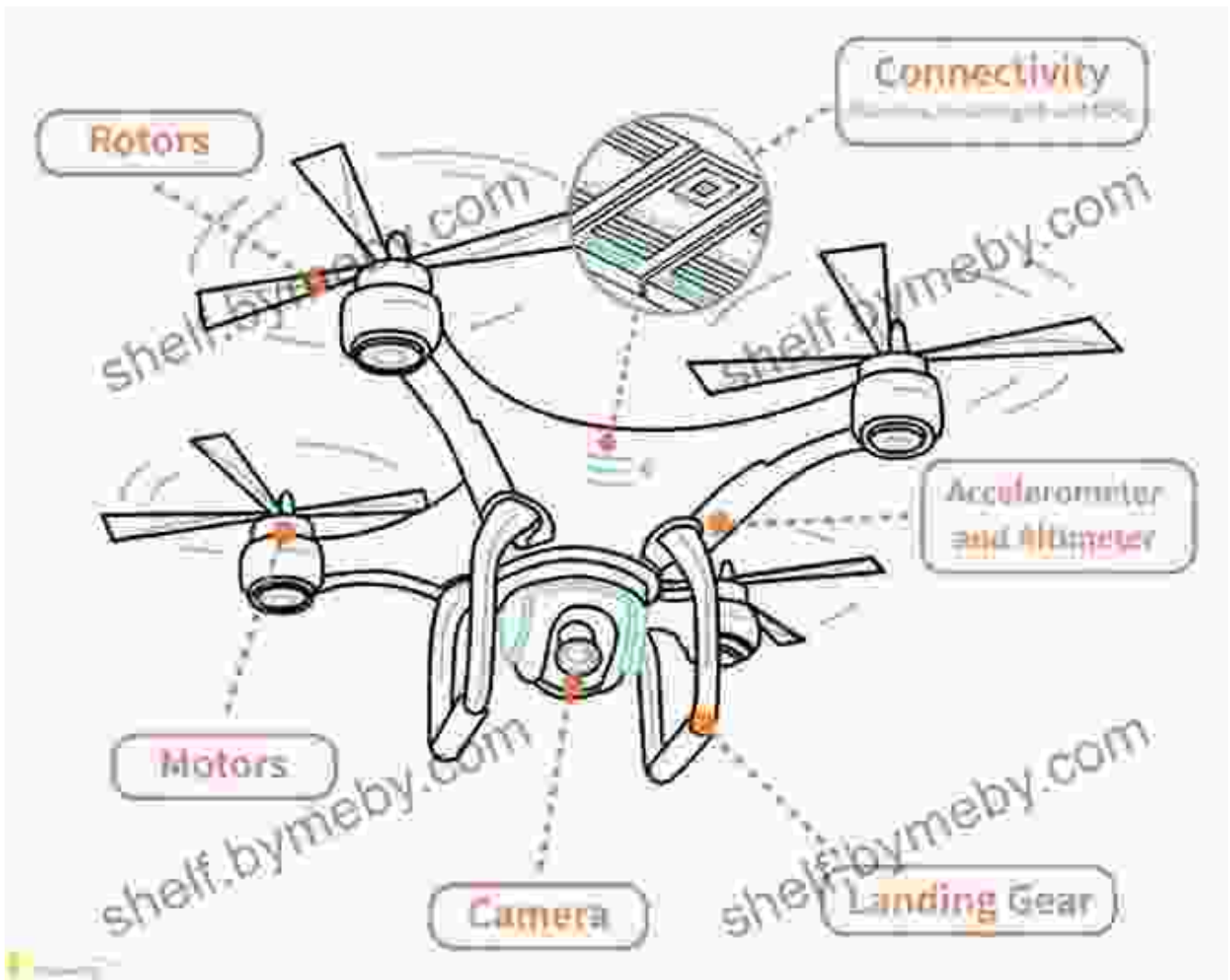
★★★★☆ 4.3 out of 5

Language : English  
Text-to-Speech : Enabled  
Enhanced typesetting : Enabled  
File size : 20861 KB  
Screen Reader : Supported  
Print length : 177 pages



## Chapter 1: Understanding the Basics of Drone Design

In this chapter, you'll dive into the fundamental principles of drone design. You'll explore the different types of drones, their components, and how they work together to achieve flight. You'll also learn about the forces that act on drones, such as lift, drag, and thrust, and how to optimize these forces for maximum performance.



## Chapter 2: Building Your Drone from Scratch

Now it's time to get your hands dirty! In this chapter, you'll learn how to select the right components for your drone and assemble them into a flying machine. You'll also learn about the different materials used in drone construction, such as carbon fiber, aluminum, and plastics, and how to choose the best materials for your needs.

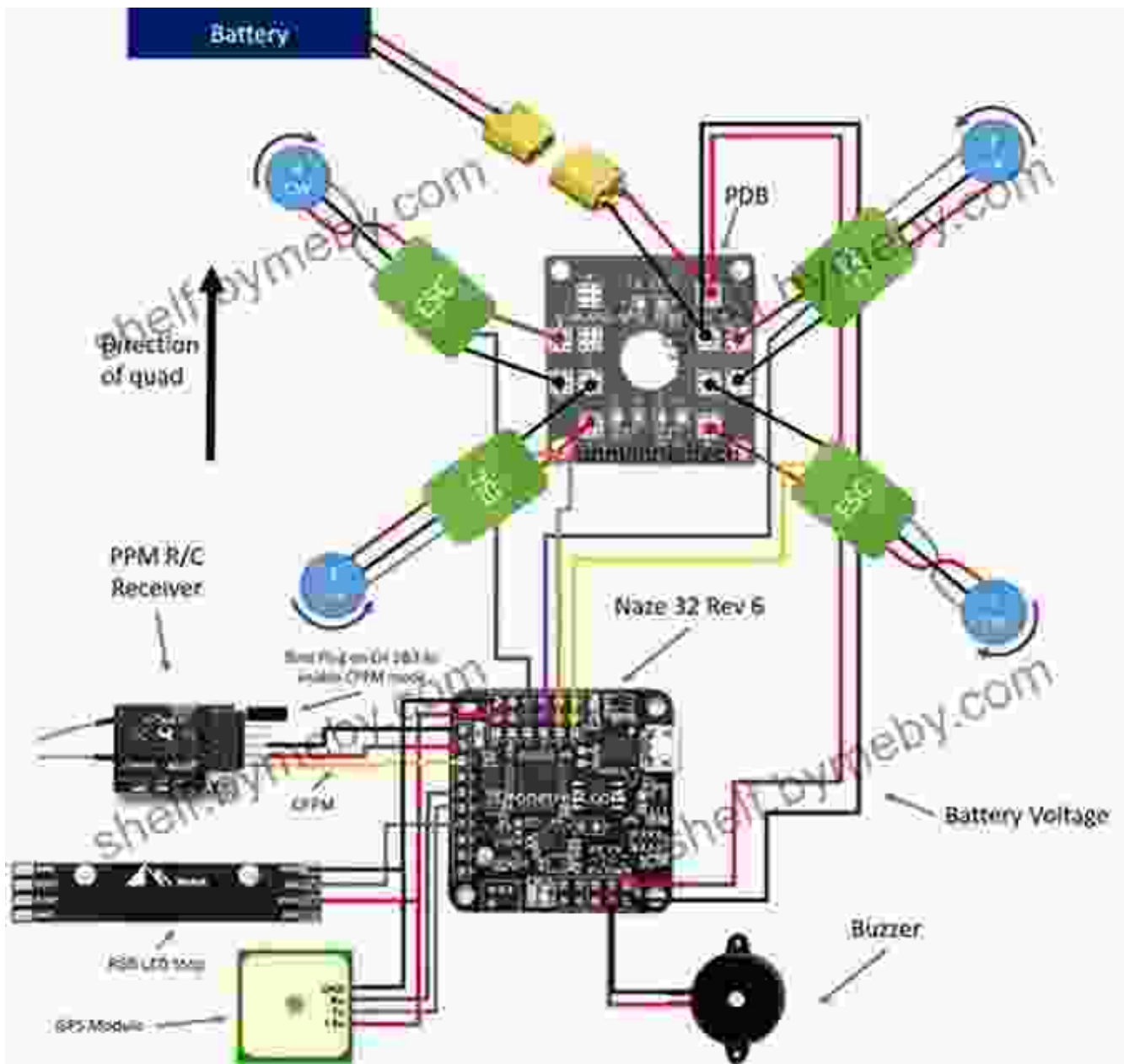
# How to: Pick the right motor & propeller for your drone



Drone assembly

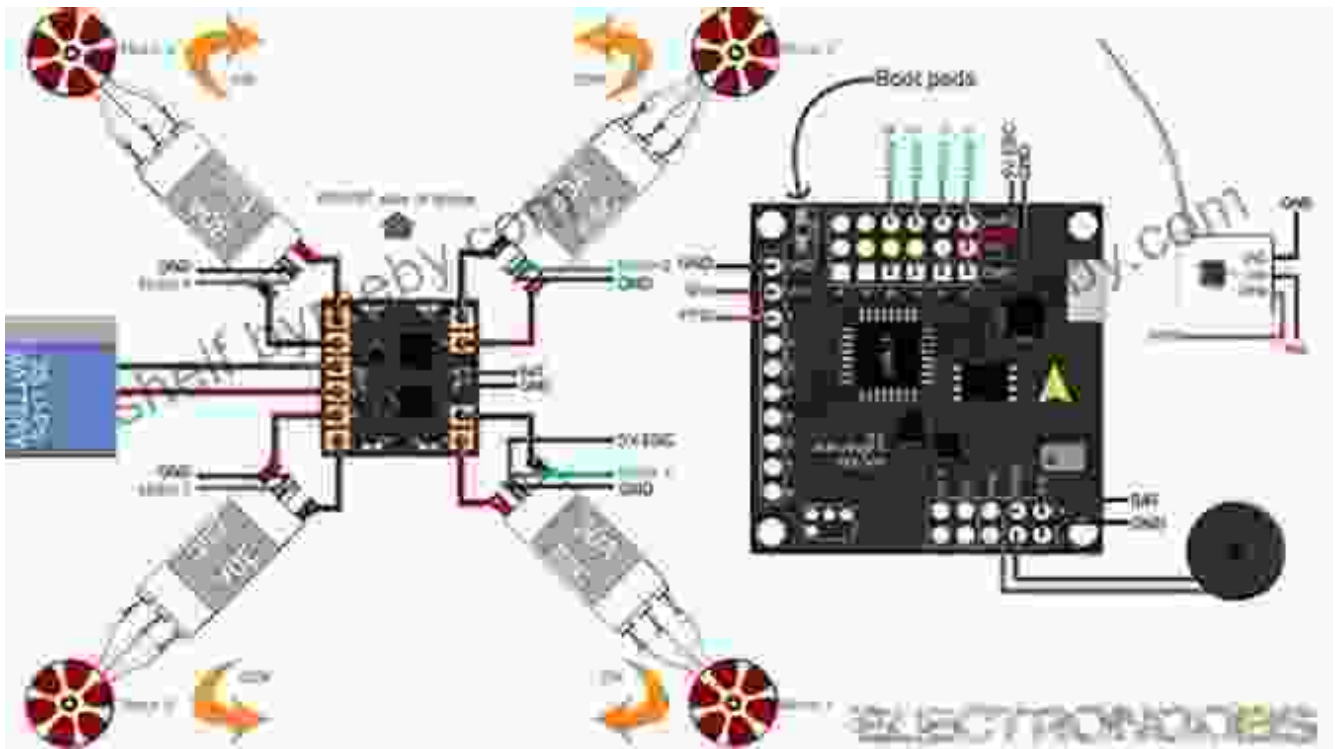
## **Chapter 3: Customizing Your Drone with Electronics**

In this chapter, you'll explore the exciting world of drone electronics. You'll learn about the different types of sensors, actuators, and flight controllers that are used in drones, and how to choose the right ones for your project. You'll also learn how to connect these components together and program them to control your drone.



## Chapter 4: Programming Your Drone for Autonomous Flight

In this chapter, you'll learn the secrets of drone software engineering. You'll explore the different programming languages and frameworks that are used to write drone firmware, and how to create programs that enable your drone to perform autonomous flight. You'll also learn about the different sensors and algorithms that are used to control drone navigation and stability.



Drone programming

## Chapter 5: Advanced Drone Design and Customization

In this chapter, you'll delve into the advanced aspects of drone design and customization. You'll learn about the latest technologies and techniques that are being used to push the boundaries of drone performance. You'll also explore the different applications of drones, from photography and videography to search and rescue operations.

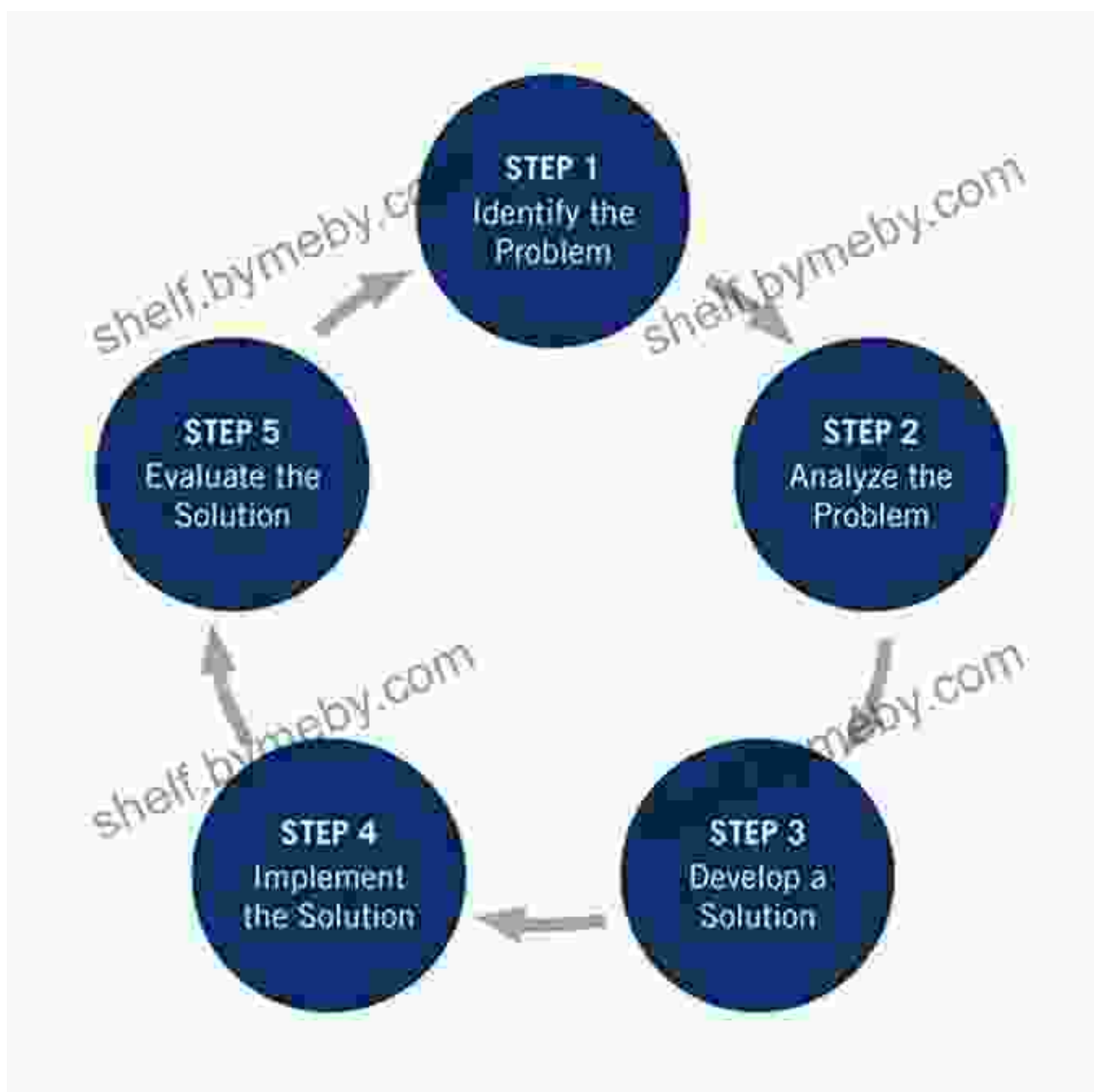


Congratulations! You've now mastered the art of designing, building, and customizing your own drones. You've unlocked a world of possibilities and unleashed your inner engineer. Whether you're a hobbyist, a researcher, or a commercial drone operator, this guide has given you the knowledge and skills you need to create your ultimate flying machines.

As you continue your drone journey, remember to stay curious, experiment, and share your knowledge with others. The world of drones is constantly evolving, and there's always something new to learn. Keep pushing the boundaries of innovation and you'll be amazed at what you can achieve.

**Bonus Chapter: Troubleshooting Common Drone Problems**

In this bonus chapter, you'll learn how to troubleshoot common drone problems and keep your flying machines in the air. You'll explore the different symptoms of drone malfunctions, such as motor failures, flight control issues, and battery problems. You'll also learn how to diagnose these problems and fix them yourself.

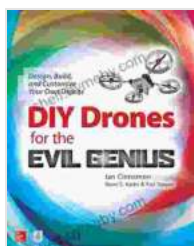


Drone troubleshooting



## Get Your Copy Today!

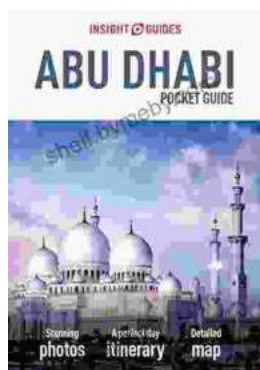
Free Download your copy of "Design, Build, and Customize Your Own Drones" today and start your journey to becoming a drone master. This comprehensive guide is packed with everything you need to know, from the basics of drone design to the latest advancements in drone technology. Whether you're a complete beginner or an experienced drone enthusiast, this book has something for you.



### DIY Drones for the Evil Genius: Design, Build, and Customize Your Own Drones by Ian Cinnamon

★★★★☆ 4.3 out of 5

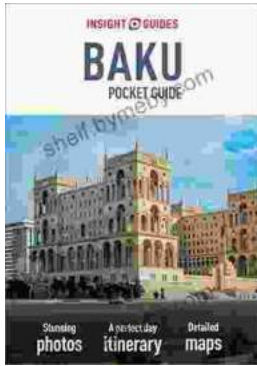
Language : English  
Text-to-Speech : Enabled  
Enhanced typesetting : Enabled  
File size : 20861 KB  
Screen Reader : Supported  
Print length : 177 pages



### Uncover the Enchanting Pearl of the Arabian Gulf: Insight Guides Pocket Abu Dhabi Travel Guide Ebook

Escape to the opulent realm of Abu Dhabi, a mesmerizing fusion of tradition and modernity nestled on the azure shores of the Arabian Gulf. Our Insight...





## **Insight Guides Pocket Baku Travel Guide Ebook: Your Pocket-Sized Guide to Unlocking Baku's Hidden Gems**

An Enchanting Journey Awaits Welcome to Baku, a captivating metropolis where East meets West, and ancient traditions blend seamlessly with modern...